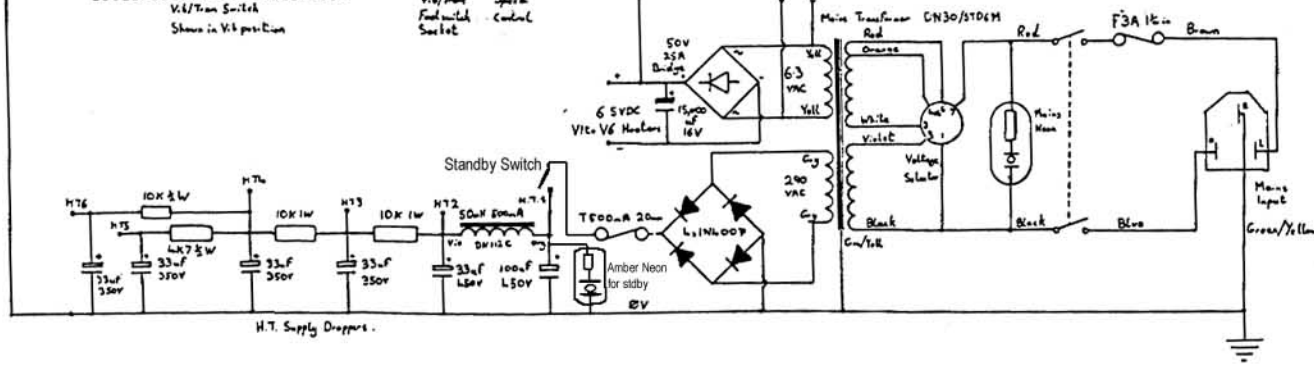


- V1, 2, 4, 6 = ECC83
- V3 = ECC82 DC Heaters use pins 5, 6, 9
- V5 = ECC81
- V7, 8, 10 = EL84 AC Heaters pins 4-5

All resistors & V6/Trans unless otherwise specified.



H.T. Supply Drops.

## Vox AC30 Vintage Model with Reverb mod 1991/92