

NOTE:-
 C115, C141 & C142 NOT FITTED
 LK105, C130, C131, & C122 NOT FITTED

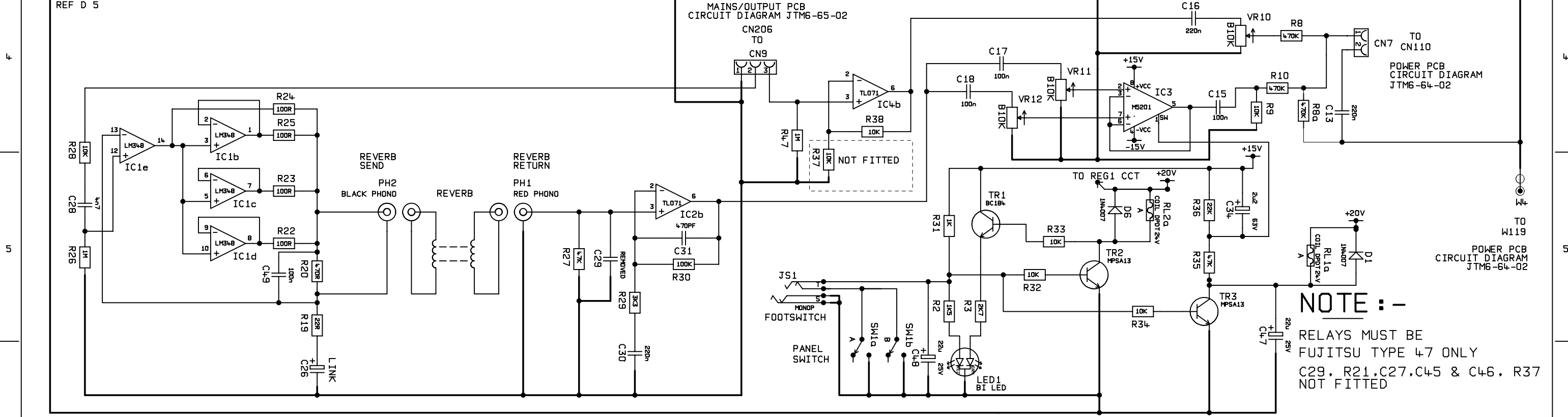
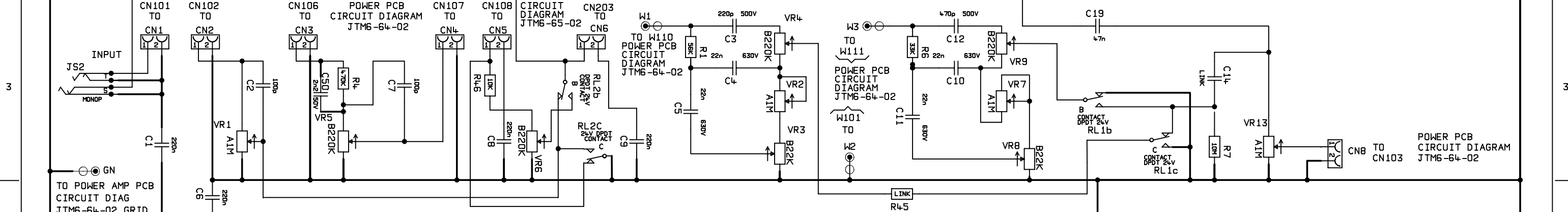
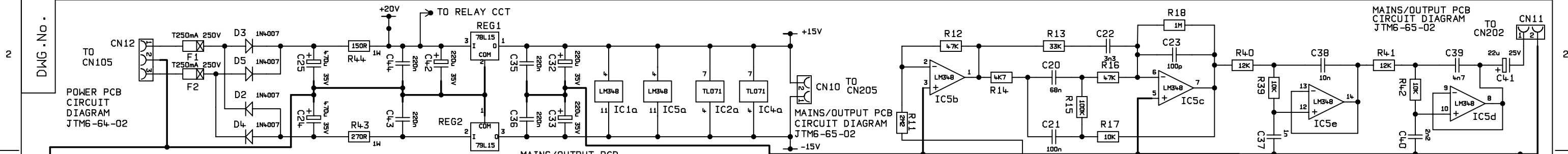
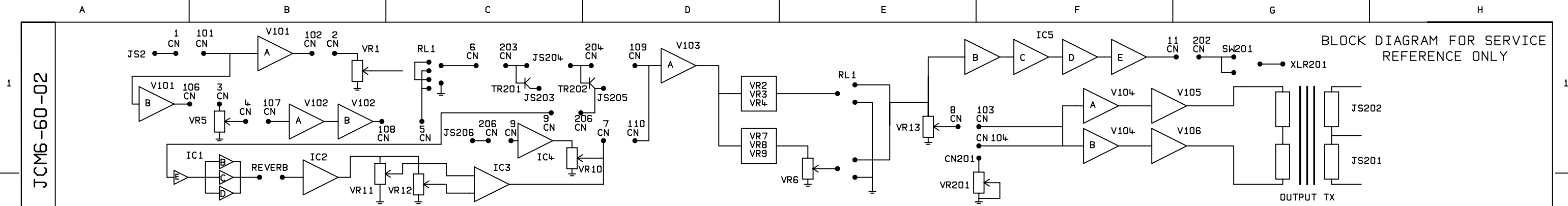
SAFETY CRITICAL COMPONENTS.
 COMPONENTS MUST BE REPLACED
 WITH THE SAME TYPE AND
 RATING ONLY.


ALL OTHER HOLES =		X = (THROUGH PLATED)	
2	1444	27-8-97	
1	1315	22/10/96	
ISS	ECO NUMBER	DATE	

MATERIAL		DIMENSIONS IN	
MATERIAL THICKNESS		TOLERANCE (UNLESS OTHERWISE STATED)	
DRAWN RSB	DATE 04/05/95		
CHECKED	DATE	MODEL JCM600	
APPROVED	DATE		

Marshall
 © JIM MARSHALL (PRODUCTS) LTD.
 DENBIGH ROAD, BLETCHLEY, MILTON KEYNES, MK1 1DB.
 TEL (0908)375411 FAX (0908)376118

TITLE	POWER PCB CIRCUIT DIAGRAM	ISS	2
DWG.No	JCM6-61-02		



2		1444		27-8-97		ALL OTHER HOLES =		X = (THROUGH PLATED)		MATERIAL		DIMENSIONS IN		 <p>© JIM MARSHALL (PRODUCTS) LTD. DENBIGH ROAD, BLETCHLEY, MILTON KEYNES, MK1 1DQ. TEL (0908)375411 FAX (0908)376118</p>		TITLE PRE-AMP PCB CIRCUIT DIAGRAM			
1		1315		22/10/96		A		J		MATERIAL THICKNESS		TOLERANCE (UNLESS OTHERWISE STATED)				DWG.No JCM6-60-02		ISS 2	
ISS		ECO NUMBER		DATE		B		K		DRAWN RSB		MODEL JCM600							
						C		L		CHECKED		DATE							