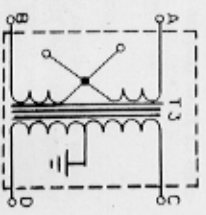
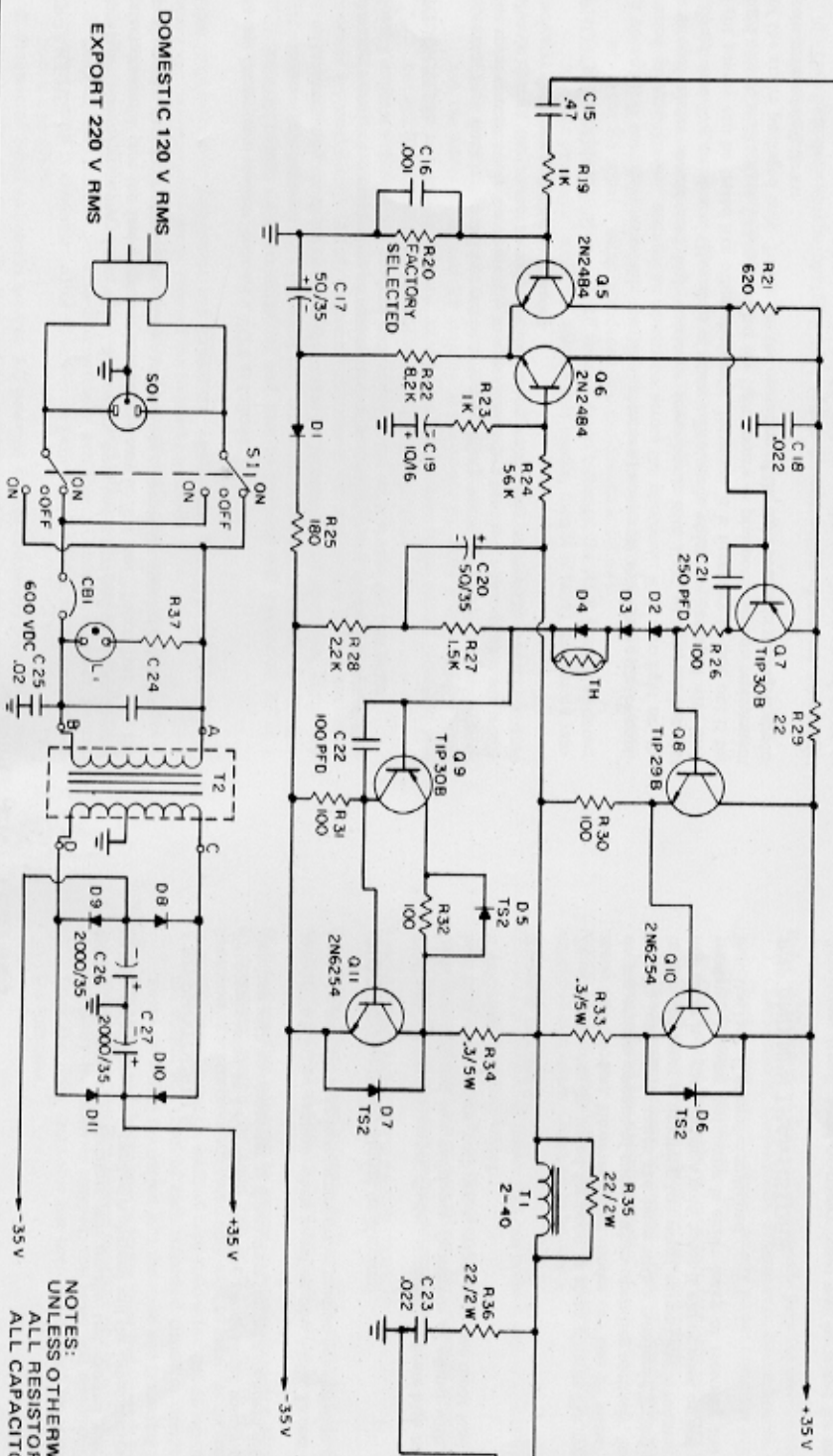
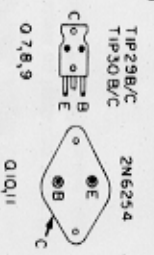


POWER SECTION

P.I. NO.	DOMESTIC	EXPORT
S01	120 V RMS.	220 V RMS.
CBI	1.65 AMP HOLD, 2.5 AMP OPEN	.93 AMP HOLD, 1.6 AMP OPEN
R37	100K OHMS	220K OHMS
C24	.22/150 V AC	.22/600 V DC
T2	2-60	
T3		2-63



BOTTOM VIEWS



NOTES:
UNLESS OTHERWISE SPECIFIED:
ALL RESISTORS ARE IN OHMS, ± 5%, 1/2W
ALL CAPACITORS ARE IN MFD

550B BASS AMPLIFIER SCHEMATIC DIAGRAM