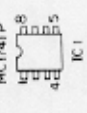
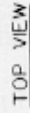
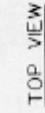
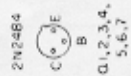


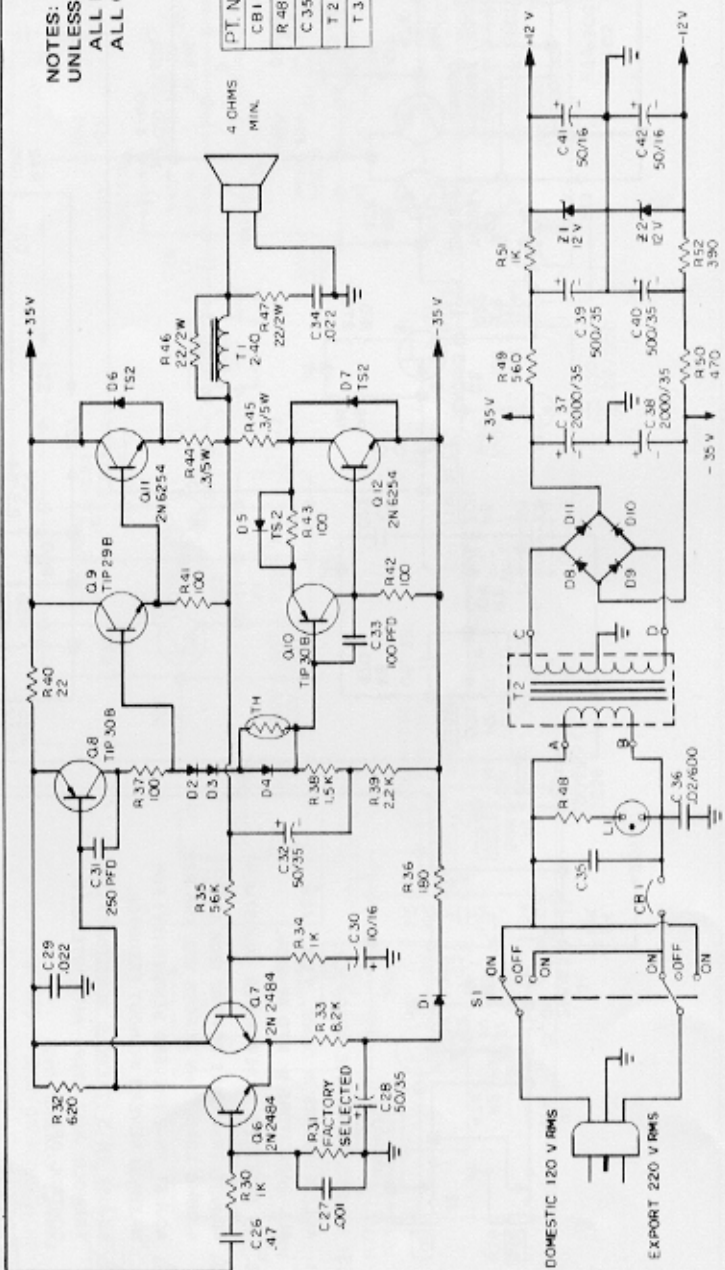
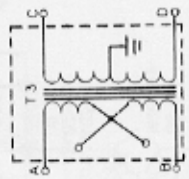
BOTTOM VIEWS



NOTES:
UNLESS OTHERWISE SPECIFIED:
ALL RESISTORS ARE IN OHMS, + 5%, 1/2W
ALL CAPACITORS ARE IN MFD AT 100V

POWER SECTION

PT. NO.	DOMESTIC	EXPORT
C B1	1.65 AMP HOLD, 2.5 AMP OPEN	3.0 AMP HOLD, 4.5 AMP OPEN
R 48	100K OHMS	220K OHMS
C 35	.22/150 V AC	.22/600 V DC
T 2	2-60	
T 3		2-63



G50A GUITAR AMPLIFIER SCHEMATIC DIAGRAM