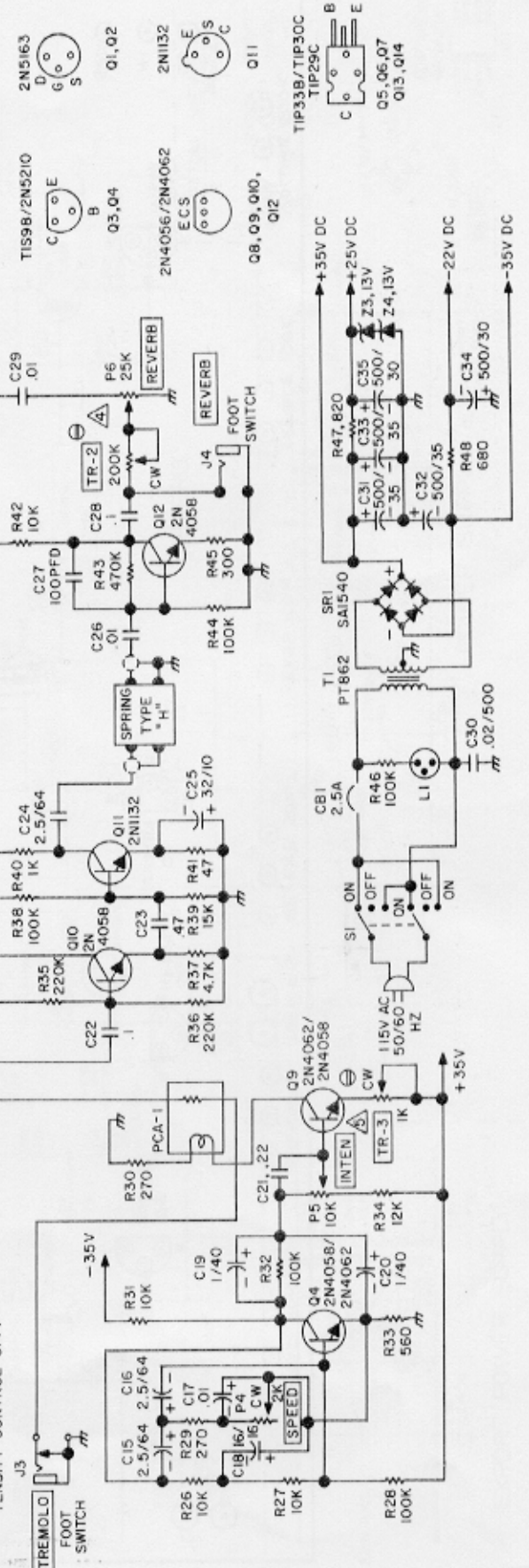


- NOTES:**
1. UNLESS OTHERWISE SPECIFIED: ALL RESISTORS IN OHMS, $\pm 5\%$, 1/2 W. ALL CAPACITORS IN MFD AT 100V.
 2. Δ INDICATES SCREWDRIIVER ADJUSTMENT.
 3. \ominus ADJUST TR-1 (BIAS POT) AT 120V LINE, 4 OHM LOAD, 5MV ACROSS R24 AND R49.
 4. Δ ADJUST TR-2 (REVERB SENSITIVITY) FOR MAXIMUM REVERB WITHOUT FEEDBACK.
 5. Δ ADJUST TR-3 (TREMOLO SENSITIVITY) UNTIL TREMOLO JUST STOPS WITH INTENSITY CONTROL OFF.

COMPONENT BASING

BOTTOM VIEWS



G40 GUITAR AMPLIFIER SCHEMATIC DIAGRAM (Serial No. 40297 and Above)