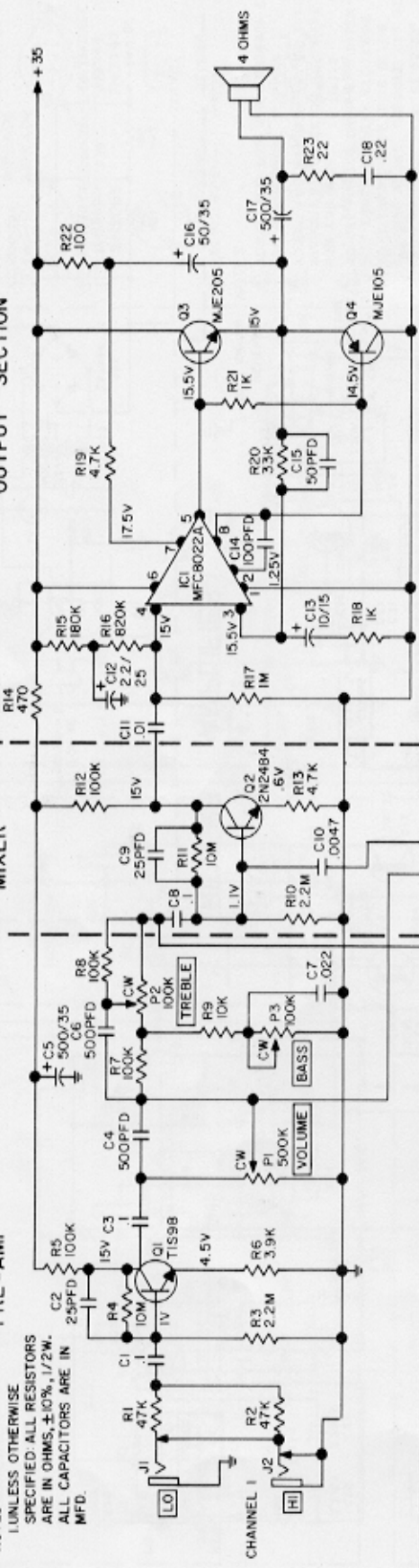


**PRE-AMP**

**MIXER**

**OUTPUT SECTION**

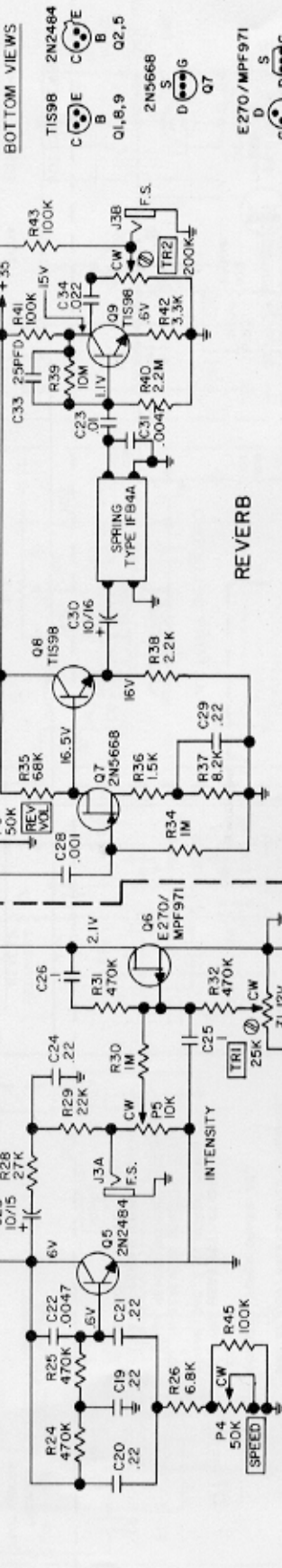
NOTES:  
1. UNLESS OTHERWISE SPECIFIED, ALL RESISTORS ARE IN OHMS, ±10%, 1/2W. ALL CAPACITORS ARE IN MFD.



**TREMOLO**

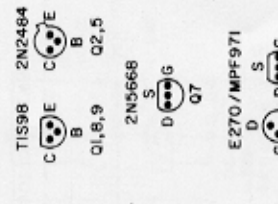
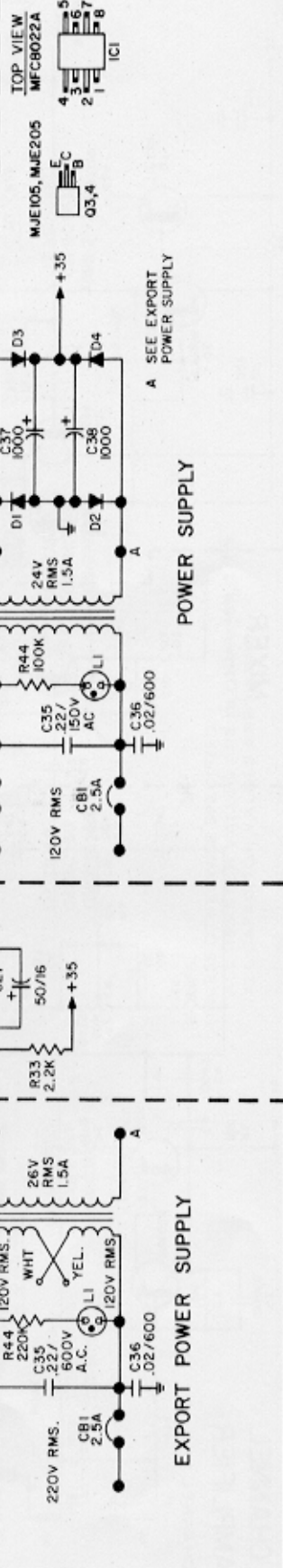
**REVERB**

**COMPONENT BASING**



**EXPORT POWER SUPPLY**

**POWER SUPPLY**



G35 (REV A) GUITAR AMPLIFIER SCHEMATIC DIAGRAM