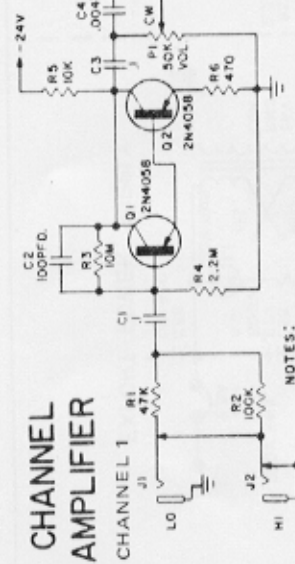


CHANNEL AMPLIFIER

CHANNEL 1

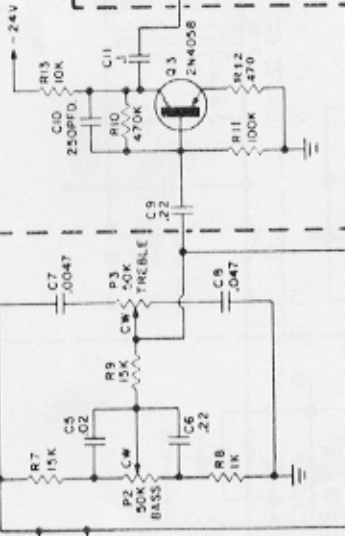


NOTES:

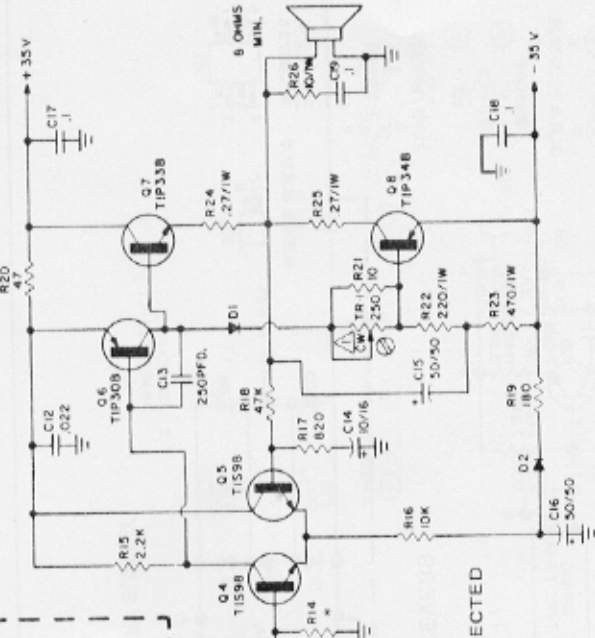
1. RESISTANCE VALUES IN OHMS AND 1/2 WATT 5% UNLESS NOTED OTHERWISE.
2. ALL CAPACITORS ARE RATED IN MFD. AND AT 100V, UNLESS NOTED OTHERWISE.
- ⊗ INDICATES SCREW DRIVER ADJ.
- △ ADJ. TR-4 (BIAS POT.) AT 120V LINE. 4 OHM LOAD, 5 MV ACROSS R24 & R25.
- ⊗ ADJ. TR-2 (REVERB SENSITIVITY) FOR MAXIMUM REVERB WITHOUT FEED BACK.
- ⊗ ADJ. TR-3 (TREMOLO SENSITIVITY) FOR 1.5% DROP IN OUTPUT LEVEL.

MIXER

FACTORY SELECTED

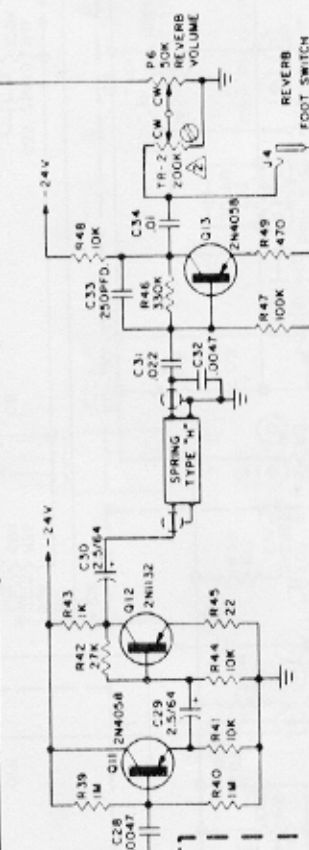
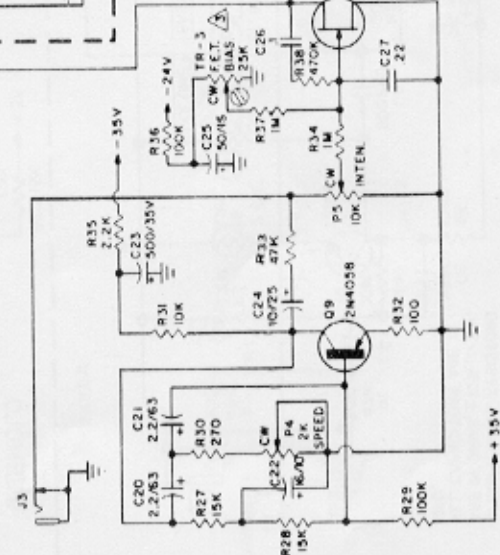


OUTPUT SECTION



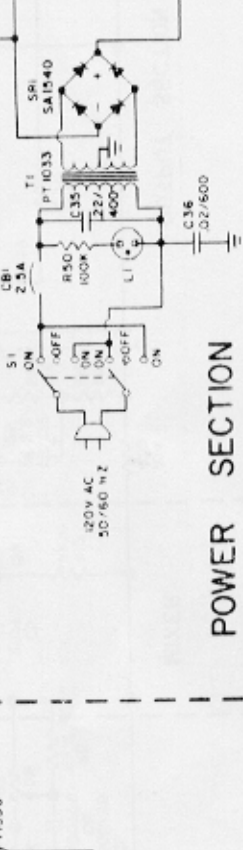
TREMOLO

TREMOLO FOOT SWITCH

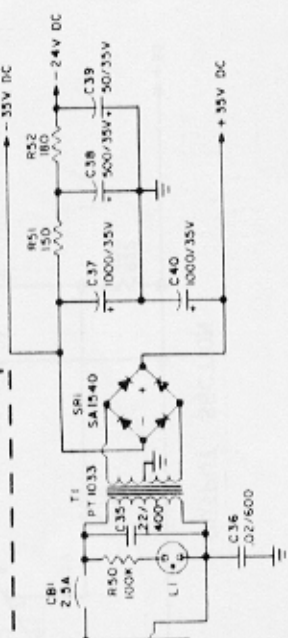


REVERB AMPLIFIER

REVERB FOOT SWITCH



POWER SECTION



BOTTOM VIEWS

