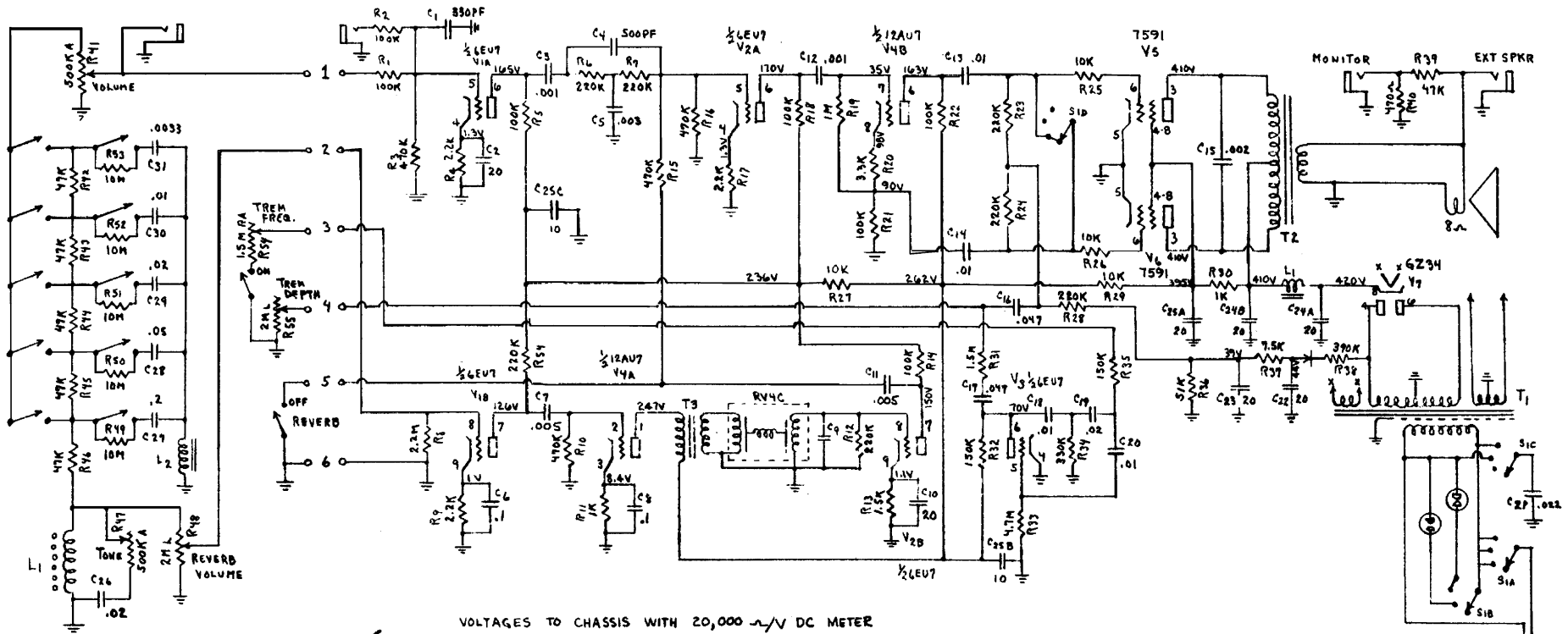


EA-8P



VOLTAGES TO CHASSIS WITH 20,000 Ω DC METER

- L1 PICKUP
 L2 CHOKE
 T1 POWER XFMR
 T2 OUTPUT XFMR
 T3 DRIVER XFMR
 S1 4 POLE, 4 POS SWITCH
 REVERB UNIT
 CPA-1023
 GA90C-1
 TF60P
 TF-P6417
 TF E6400
 SW 78
 RV4C
 CAPACITORS IN MFD
 RESISTORS IN OHMS K=1,000 ; M=1,000,000

- R41 INSTRUMENT VOL CONTROL 500K AUDIO
 R47 INSTRUMENT TONE CONTROL 500K AUDIO
 R48 REVERB VOL CONTROL 2M LINEAR
 R54 TREMOLO FREQ CONTROL 1.5M REVERSED
 R55 TREMOLO DEPTH CONTROL 2M LINEAR
 CBA 811-3707
 CBA 811-3707
 CBA 811-3708
 CBA 811-3711
 CBA 811-3708

