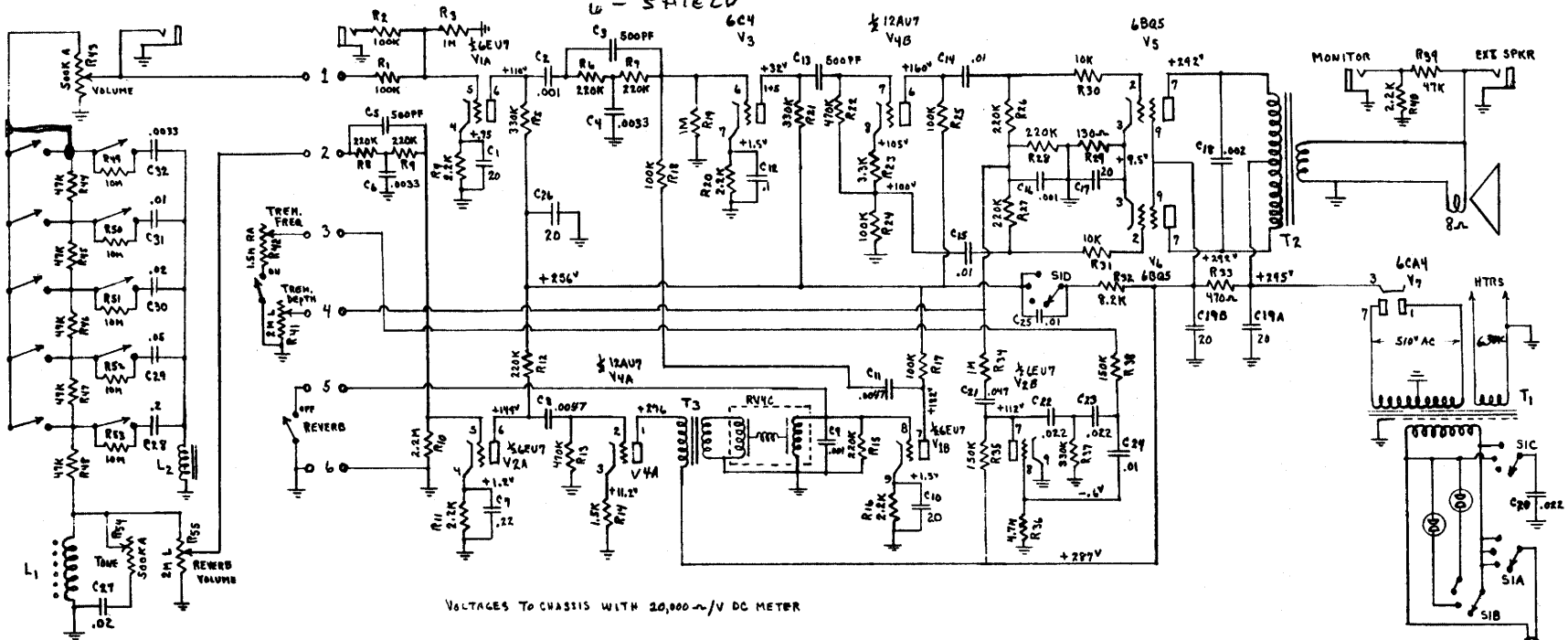


THIS SCHEMATIC FOR AMPS STARTED IN 1963

Cable Color Code 1 - GREEN - SHIELDED
 For EA7P 2 - Red - SHIELDED
 INST. CABLE 3 - yellow
 4 - Blue
 5 - Brown - SHIELDED
 6 - SHIELD

EA-7P



VOLTAGES TO CHASSIS WITH 20,000 Ω /V DC METER

- L1 Pickup CPA-1023
- L2 CHUKE GA90C-1
- T1 POWER XFMR TF8A-P
- T2 OUTPUT " TF18-01
- T3 DRIVER " TF E6400
- S1 4 POLE, 4 POS SW 7B
- REVERB UNIT RV4C

- R41 TREMOLO DEPTH CONTROL 2M LINEAR CBA 811-3708
- R42 " FREQ " 1.5M REVERSED CBA 811-3711
- R43 INSTRUM VOL " 500K AUDIO CBA 811-3707
- R54 " TONE " 500K " CBA 811-3707
- R55 REVERB. VOL " 2M LINEAR CBA 811-3708

CAPACITORS IN MFD
 RESISTORS IN OHMS K=1000, M=1000000

