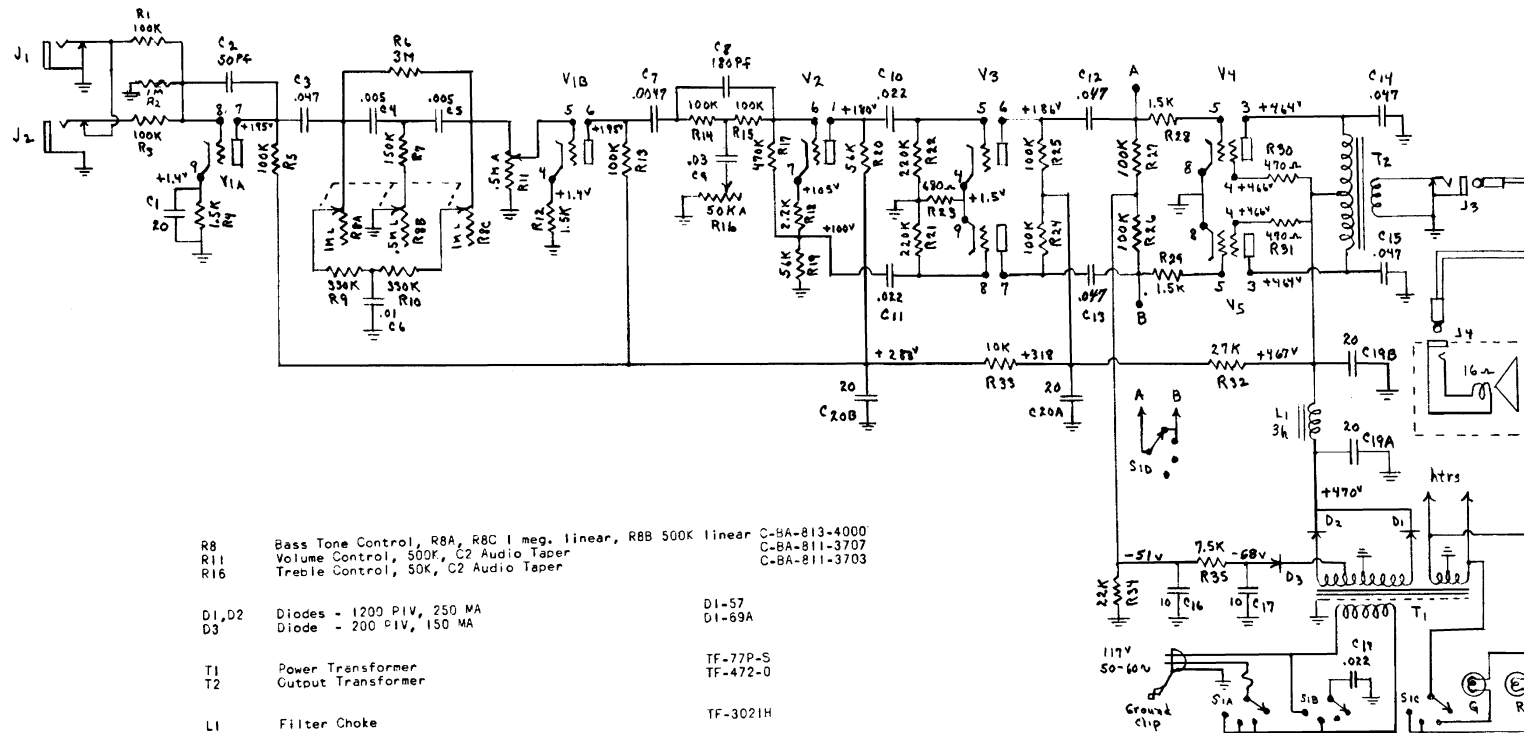
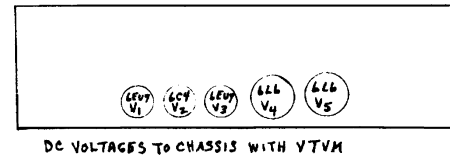


EA-72



- |               |  |               |
|---------------|--|---------------|
| R8            | Bass Tone Control, R8A, R8C 1 meg. linear, R8B 500K linear | C-BA-813-4000 |
| R11           | Volume Control, 500K, C2 Audio Taper                       | C-BA-811-3707 |
| R16           | Treble Control, 50K, C2 Audio Taper                        | C-BA-811-3703 |
| D1, D2        | Diodes - 1200 PIV, 250 MA                                  | D1-57         |
| D3            | Diode - 200 PIV, 150 MA                                    | D1-69A        |
| T1            | Power Transformer  | TF-77P-S      |
| T2            | Output Transformer   | TF-472-0      |
| L1            | Filter Choke   | TF-3021H      |
| S1A, S1B, S1C | Switch, Power, Polarity, standby                           | SW-77         |
- 15" Speaker, 16 ohm, 40 cycle



DC VOLTAGES TO CHASSIS WITH VTVM

FUSE

The fuse used in this Amplifier is a type 3AG of three amperes rating.  
DO NOT USE FUSES OF HIGHER RATING

SERVICE

If the amplifier is in need of servicing, it should be taken to a reliable radio man. The electrical diagram in this folder should be shown the repairman to assist him in servicing the amplifier.