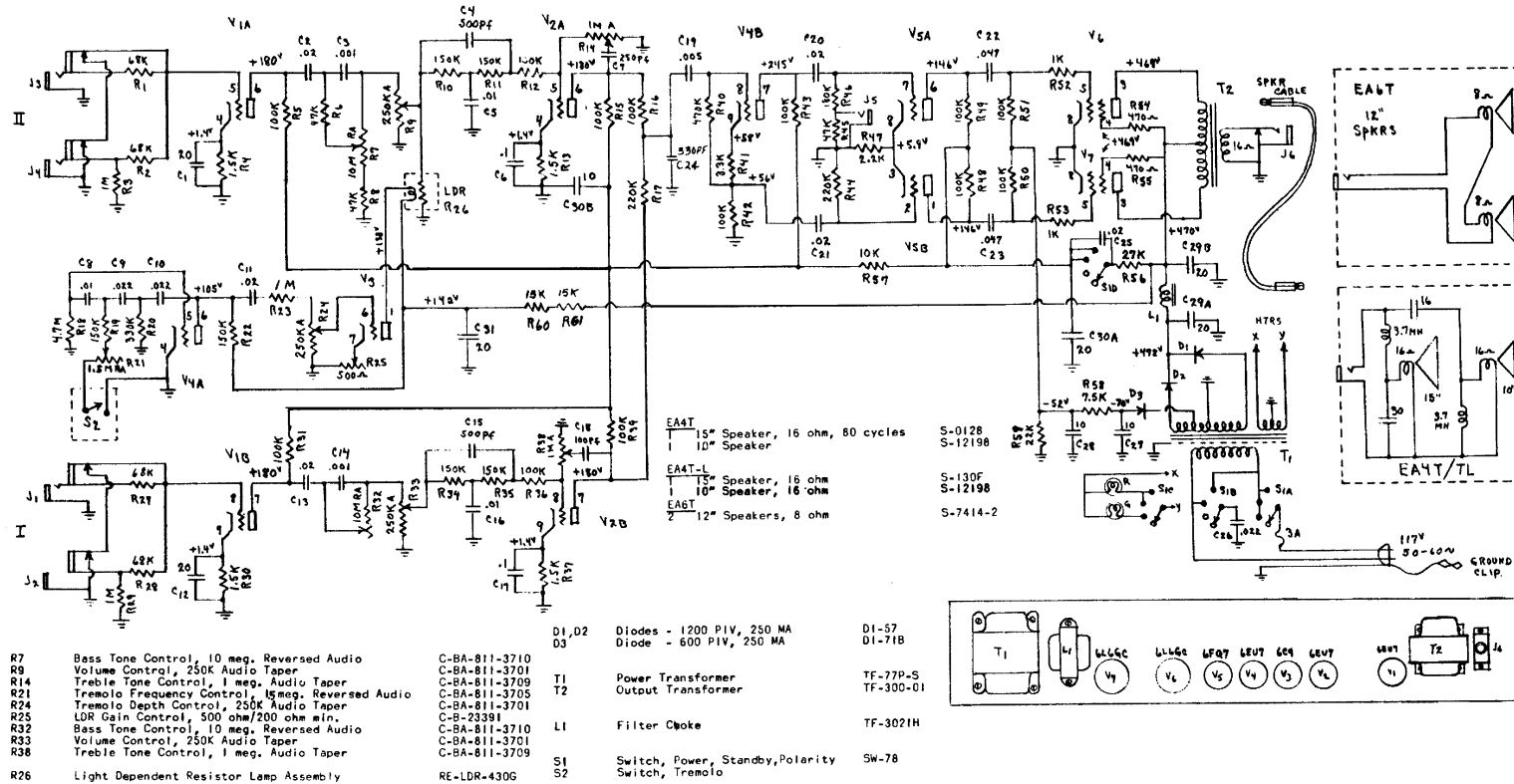


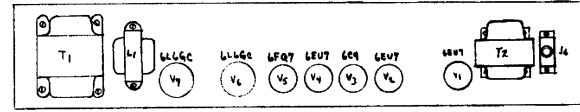
EA-4T, 4TL, & 6T



- R7 Bass Tone Control, 10 meg. Reversed Audio
- R9 Volume Control, 250K Audio Taper
- R14 Treble Tone Control, 1 meg. Audio Taper
- R21 Tremolo Frequency Control, 15 meg. Reversed Audio
- R24 Tremolo Depth Control, 250K Audio Taper
- R25 LDR Gain Control, 500 ohm/200 ohm min.
- R32 Bass Tone Control, 500 meg. Reversed Audio
- R33 Volume Control, 250K Audio Taper
- R38 Treble Tone Control, 1 meg. Audio Taper
- R26 Light Dependent Resistor Lamp Assembly

- C-BA-811-3710
- C-BA-811-3701
- C-BA-811-3709
- C-BA-811-3705
- C-BA-811-3701
- C-B-23391
- C-BA-811-3710
- C-BA-811-3701
- C-BA-811-3709
- D1, D2 Diodes - 1200 PIV, 250 MA
- D3 Diode - 600 PIV, 250 MA
- T1 Power Transformer
- T2 Output Transformer
- L1 Filter Choke
- S1 Switch, Power, Standby, Polarity
- S2 Switch, Tremolo

- D1-57
- D1-71B
- TF-77P-S
- TF-300-01
- TF-3021H
- SW-78



FUSE

The fuse used in this Amplifier is a type 3AG of three amperes rating. DO NOT USE FUSES OF HIGHER RATING

SERVICE

If the amplifier is in need of servicing, it should be taken to a reliable radio man. The electrical diagram in this folder should be shown the repairman to assist him in servicing the amplifier.