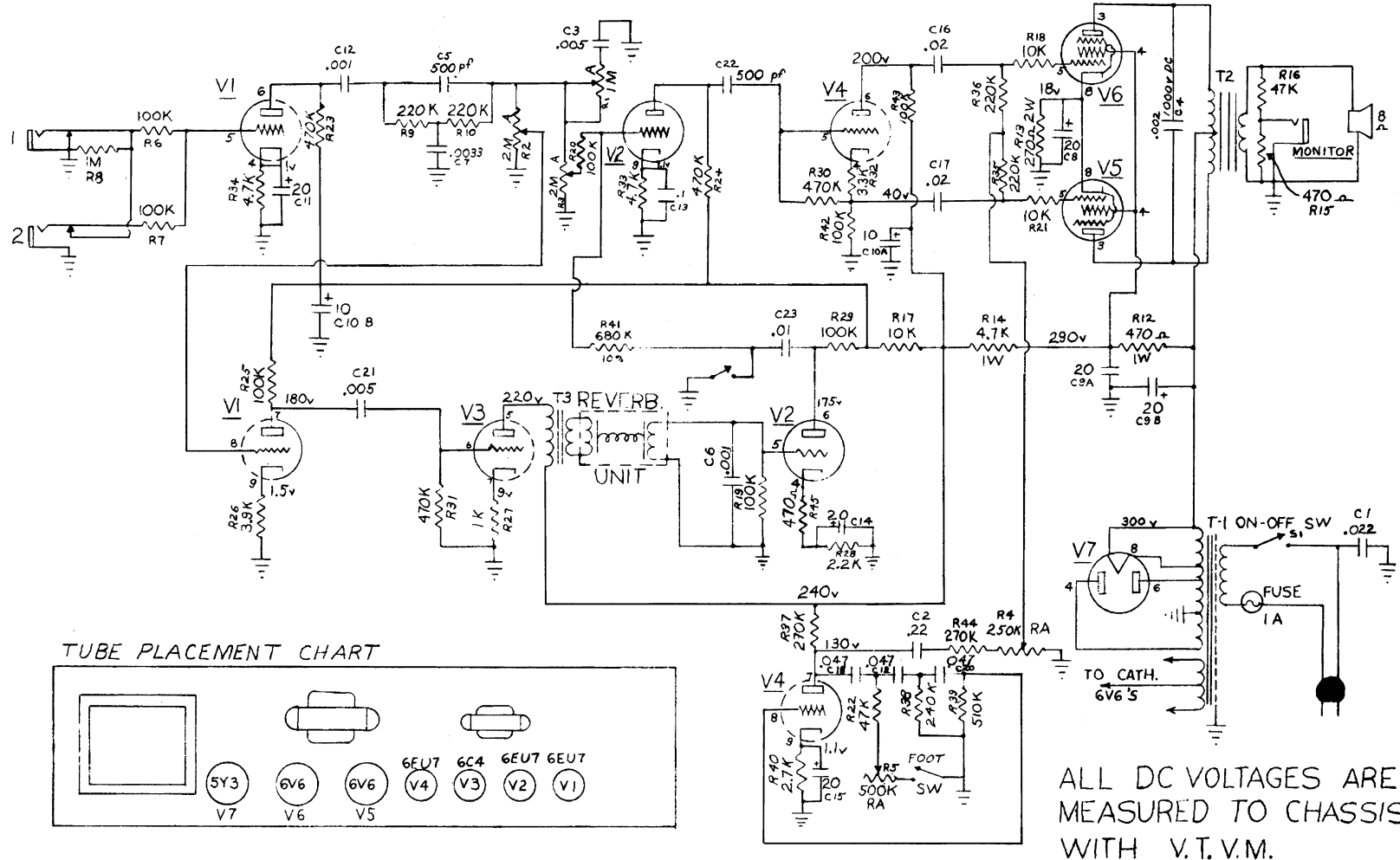


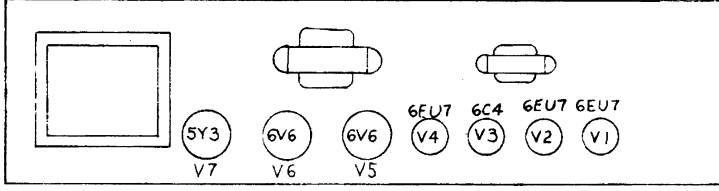
EA28-RVT

R2,R3	Loudness & Reverb. Control, 2 meg audio taper	C-BA-811-3702
R4	Depth Control, 250K reversed audio	C-BA-811-3704
R5	Frequency Control, 500K reversed audio	C-BA-811-3706
R1	Tone Control, 1 meg audio taper	C-BA-811-3709

T1	Output Transformer	TF-18-01
T2	Power Transformer	TF-18P
T3	Reverberation Transformer	TF-B-6400
S1	Toggle Switch (on-off) with 2 muts	SW-80994
(1)	S-20009 12" Speaker	S-20009



TUBE PLACEMENT CHART



ALL DC VOLTAGES ARE MEASURED TO CHASSIS WITH V.T.V.M.