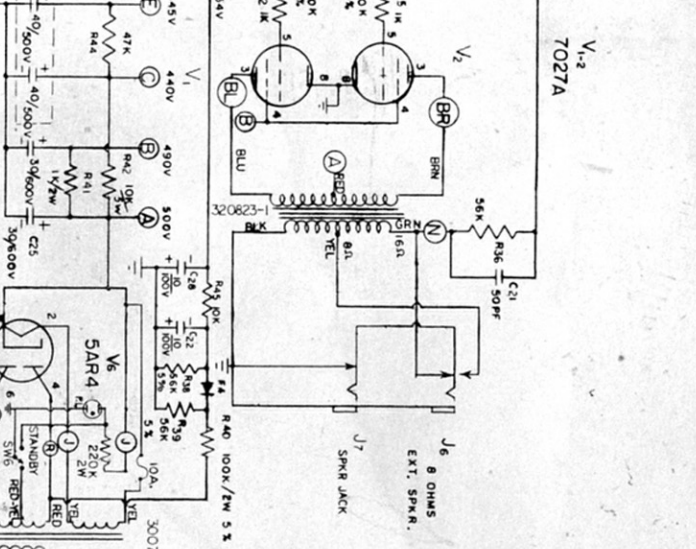
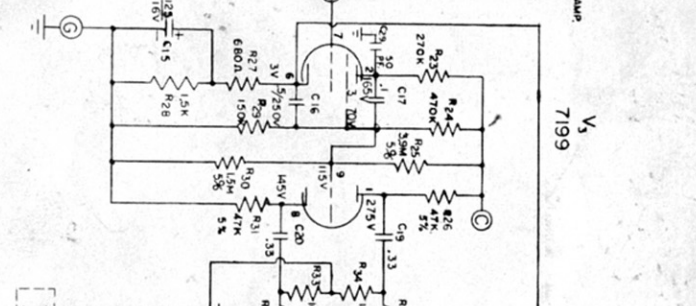
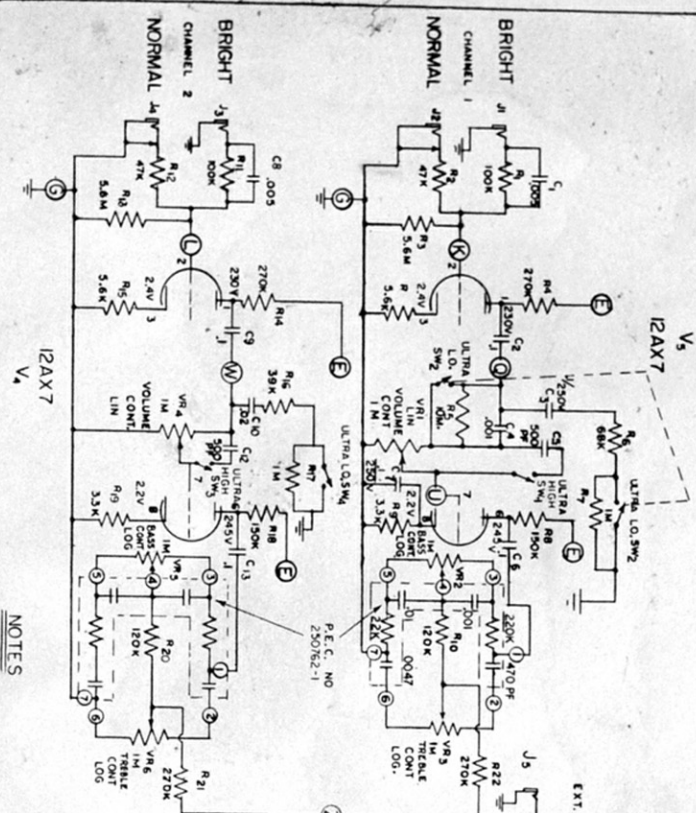


MODEL
B25B

FOR REF. C SEE END C748
 DIM. NO. 591713 REV. C



NOTES

- 1 - ALL CAPACITORS IN MFD & 400V UNLESS OTHERWISE STATED
- 2 - ALL RESISTORS 1/2W 10%
- 3 - U.S. PATENT PENDING
- 4 - DC VOLTAGE READINGS WITH NO SIGNAL INSERTED.
- 5 - CIRCUIT OF CHASSIS MAY VARY SLIGHTLY FROM THAT SHOWN HERE DUE TO NORMAL PRODUCTION CHANGES.